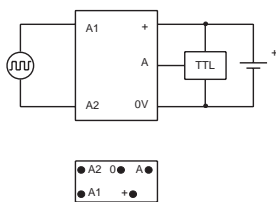




Properties

- Optocoupler for TTL interface
- To solder or to plug in base elements (5 mm pin grid)
- Available with input voltages from 5 to 110 V DC or 24 to 230 V AC
- With integrated output polarity protection
- Input independent of polarity
- With defined on and off thresholds



View of connections

Technical data

Input

Control voltage range
 Input current at U_n
 Switching level: off / not permitted / on
 Max. transmission frequency
 (res. load, $T_a = 25^\circ\text{C}$, DC=50%, $i = 0.5 \times I_{\text{max}}$)

Output

Operating voltage
 Max. current
 Residual voltage drop (at "H" level)
 Resistance
 Output circuit*

General data

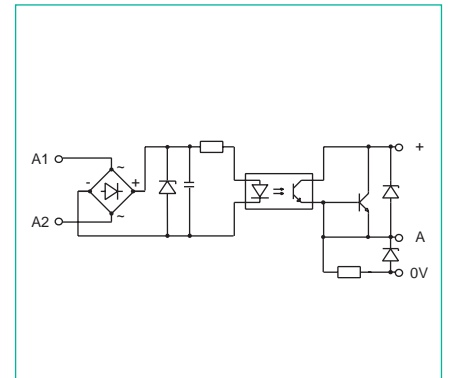
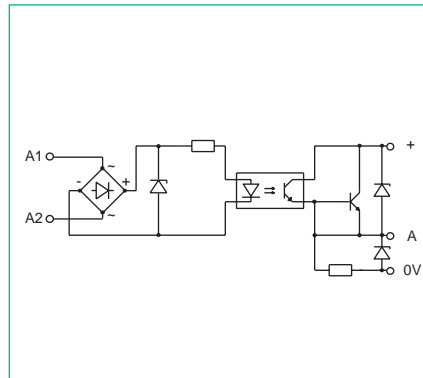
Test voltage
 Temperature range
 Size L x W x H
 Connecting pins
 PCB hole diameter

Order numbers

$U_n =$ 5 V DC
 12 V DC
 24 V DC
 48 V DC
 110 V DC
 24 V AC/DC
 115 V AC/DC
 230 V AC/DC



45338/2



DC input / output TTL 100 mA

$U_n \pm 20\%$
 about 5 mA (110 V: about 3 mA)
 $< 0.4 U_n / 0.4 - 0.8 U_n / > 0.8 U_n$
 2 kHz

$5 V \pm 20\%$
 $I_{\text{max}} = 100 \text{ mA}$
 about 0.8 V
 about 390Ω (Fan-Out = 1 at standard TTL)
 with earth, 3 wires

2.5 kV
 -25°C up to $+45^\circ\text{C}$
 29 x 12.5 x 15 mm
 0.64 x 0.64 mm
 1.0 - 1.3 mm

AC/DC input / output TTL 100 mA

$U_n \pm 20\%$ (115 V, 230 V: $\pm 15\%$) AC
 about 5 mA (115 V, 230 V: about 2 mA)
 $< 0.4 U_n / 0.4 - 0.8 U_n / > 0.8 U_n$
 10 Hz

$5 V \pm 20\%$
 $I_{\text{max}} = 100 \text{ mA}$
 about 0.1 V
 ca. 390Ω (Fan-Out = 1 at standard TTL)
 with earth, 3 wires

2.5 kV
 -25°C up to $+45^\circ\text{C}$
 29 x 12.5 x 15 mm
 0.64 x 0.64 mm
 1.0 - 1.3 mm

45338/7
 45338/1
 45338/2
 45338/3
 45338/9

45339/12
 45339/15
 45339/14

* If the loads are inductive, a surge protection must be provided.