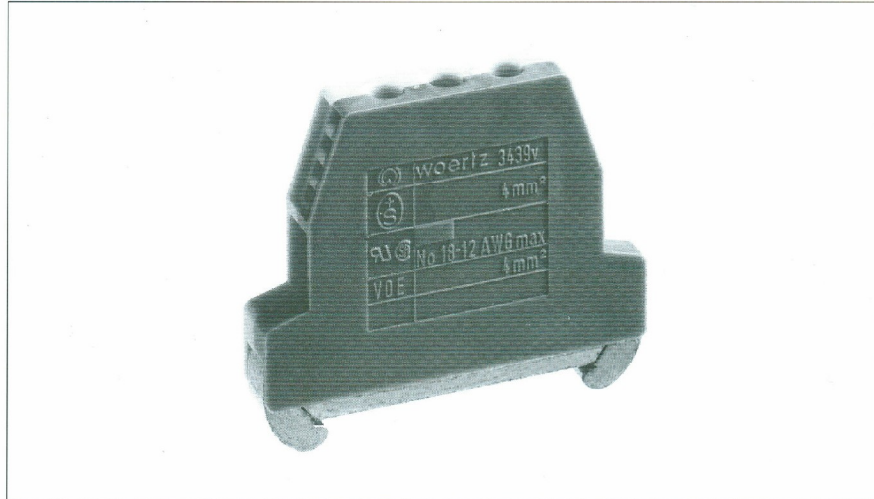


Woertz AG
151 Discovery Drive, # 111
COLMAR, PA 18915
Phone 215-997-8855
Fax 800-522-3868

**Enclosed earthing terminals
4–10 mm² – For screw fixing**

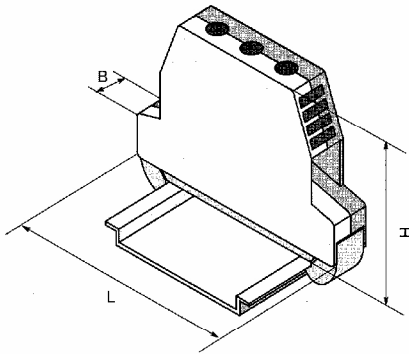


- For mounting rails according to EN 50022–35
- Green and yellow enclosure of polyamide 6.6
- Four-figure marking on both sides
- Terminal and pressure part of brass
- Screws and springs of stainless steel
- The connection between mounting rail and terminal as well as the connected conductors are protected against working loose

Nominal cross-section	No.	Corresponding terminals for polar conductor
4 mm ² / AWG 18–12	3439 V	3450
6 mm ² / AWG 18–8	3439/6V	30145 OR 3452/6GR
10 mm ² / AWG 16–6	* 3439/10V	3452/10

* NOTE: 3439/10V IS
REPLACED WITH
3436/10V

Dimensions:



Technical features:

Nominal cross-section	AWG 18-12	AWG 18-8	AWG 16-6
Width B mm	8	9	11
Length L mm	48	48	48
Height H mm	35	38.5	41
Wire strip length mm	11	12	12
Connecting capacity \varnothing mm	3.1	3.7	5.3
Clamping screws	M3	M3	M4
Screw with pressure part	M3	M3	M4
Clamping couple for electric screw-driver Nm	0.8	0.8	1.8

Marking accessories

Marking strips with 10 labels per strip, of thermoplastic, white, dimension of a label 3 x 6 mm

Series **3958/...** Series **3958/...** Series **3958/...**

Marking cards RB/6x12, of thermoplastic, white, dimension 12 x 6 mm

Series **80081...** Series **80081...** Series **80081...**