

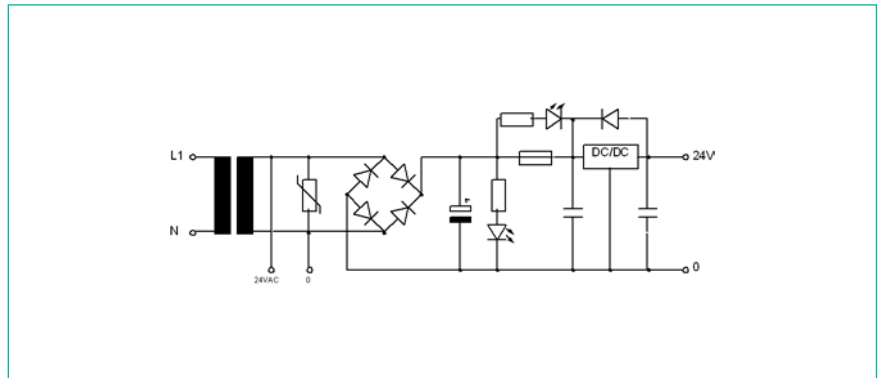
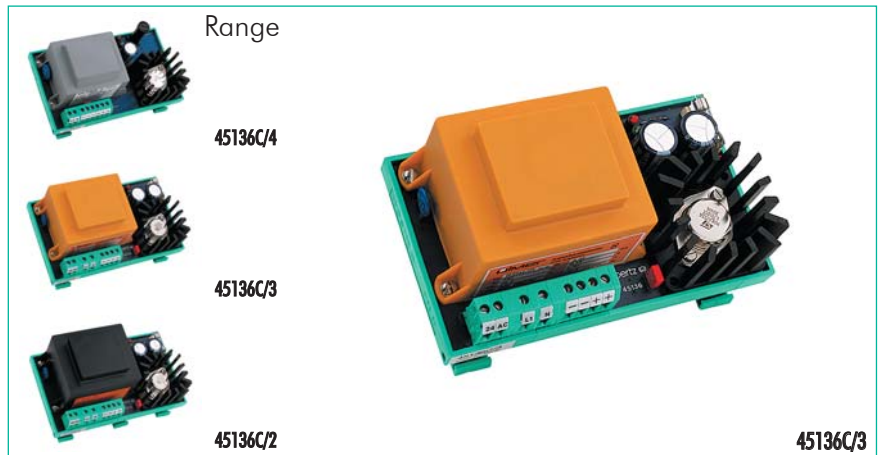


Properties

- Operating and fuse indicators
- Low ripple

On request

- Other voltages available



Technical data

Supply voltage
Output voltage
Output power
Output current
Ripple ΔU_{eff} max. at $I_{\text{nom}} = 1\text{A}$
Operating temperature
Size W x H x D

230 V AC $\pm 10\%$
5 V DC $\pm 5\%$
5 W
1 A
5 mV
-20°C up to +40°C
140 x 83 x 80 mm

230 V AC $\pm 10\%$
12 V DC $\pm 5\%$
12 W
1 A
5 mV
-20°C up to +40°C
140 x 83 x 80 mm

230 V AC $\pm 10\%$
24 V DC $\pm 5\%$
24 W
1 A
5 mV
-20°C up to +40°C
140 x 83 x 80 mm

Order numbers

45136C/4

45136C/3

45136C/2