



Imp
25kA

Din Rail AC Power Surge Protector

DS25xVG-120, DS25xVG-300



DS250VG-120

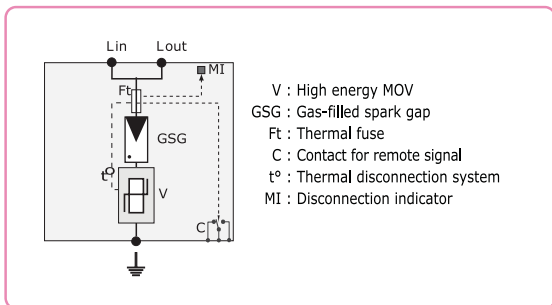
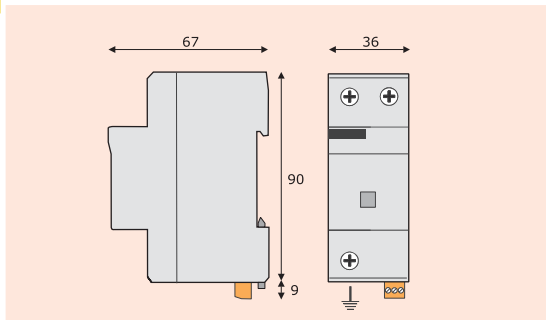


DS250VG is a heavy duty AC Surge Protection Device (SPD) for high risk, low tolerance electrical service entrance applications. The DS250VG provides protection against the direct and indirect effects of lightning and is particularly useful in a high lightning area where the risk of heavy surge current or even direct strike is high, i.e. buildings equipped with lightning rods.

The DS250VG is a one pole module that can be configured for both common and differential mode protection in any single or three phase application to 277/480Vac.

The DS250VG incorporates a patented MOV-GSG hybrid protection circuit that allows for very high surge current handling 25kA 10/350us, no leakage current to ground, no follow on current and the industry's lowest residual clamp voltages. The module is din rail mountable with dual terminal connectors for in-line wiring up to 250A. The DS250VG include integral thermal disconnection compliant to UL-60691, a visual fault indicator as well as remote signalization.

Dimensions and Diagram (in mm)

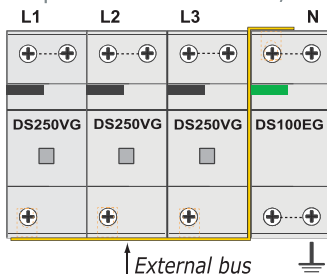


Characteristics

CITEL Part Number	DS25xVG-120	DS25xVG-300
AC Network	120/208V 120/240V	230/400V 277/480V
UL Max. Operating Voltage (MCOV)	150Vac	330Vac
TOV Withstand (UT)	150Vac	400Vac
IEC/UL Nominal Discharge Current (In) 15 impulses 8/20 µs	30kA/20kA	30kA/20kA
Max. Discharge Current (Imax) 1 impulse 8/20 µs	70kA	70kA
Max. Lightning Current (Iimp) 1 impulse 10/350 µs	25kA	25kA
UL Voltage Protection Rating (VPR)	1200V	1200V
Protection Level at In (Up)	1.0kV	1.5kV
UL Short-Circuit Current Rating (SCCR)	100kAIC	100kAIC
Connection Mode	L-N, L-G, N-G, L-L (where applicable)	
Leakage Current at MCOV (Ic)	none	Very Important
Follow Current (If)	none	
AC System	IT, TT, TN, Single, Split Phase, Delta, Wye	
Thermal Disconnector	UL 60691	
Overcurrent Protection	Time Delay - 250A Max.	
Dimensions	90 x 36 x 67 (in mm)	
Connection	by screw terminals, #4 AWG Max.	
Remote Signal Indicator	250Vac Max, 2A	
Mounting	Din Rail, 35mm Symmetrical	
Operating Temp	-50°C to +85°C	
Operating Altitude	13,000 ft (4,000m)	
Relative Humidity	5 to 95% non-condensing, up to 100% external	
Enclosure Material	Thermoplastic UL94-5A	
Environmental Rating	IP20	
Weight	7.3 oz per module	
Standards Compliance		
IEC 61643-1 - INTERNATIONAL	Class I and II	
EN 61643-11 - EUROPE	Class I and II	
NF EN 61643-11 - FRANCE	Class I and II	
UL1449 3rd Edition - USA	Type 4, Type 2 Location	
UL1449 3rd Edition - CANADA	Type 4, Type 2 Location	
CSA C22.2 No. 8-M1986	Class 9091 32, Class 9091 92	
RoHS	Directive 2002/95/EC	

Association with DS100EG protectors

For example : DS254VG-300/G



DS25xVG-300/G

