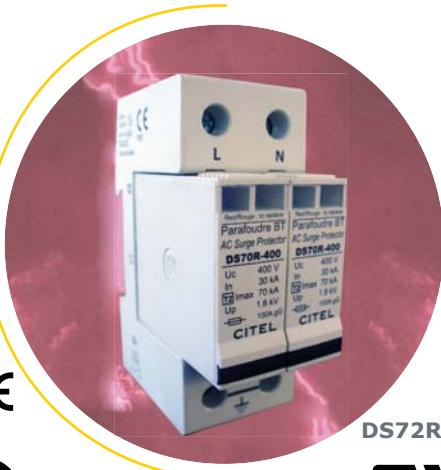




Imax
70kA

Din Rail AC Power Surge Protector

DS7xRS-120, DS7xRS-230, DS7xRS-400, DS7xRS-690



DS72RS-400

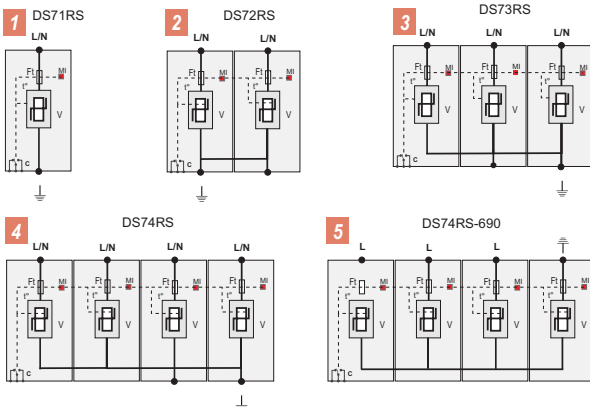


DS70RS is a heavy duty AC Surge Protection Device (SPD) for high risk electrical service entrance and branch panel applications. The DS70RS protects against the direct and indirect lightning strikes and large switching transients. They are particularly useful in areas where space is limited.

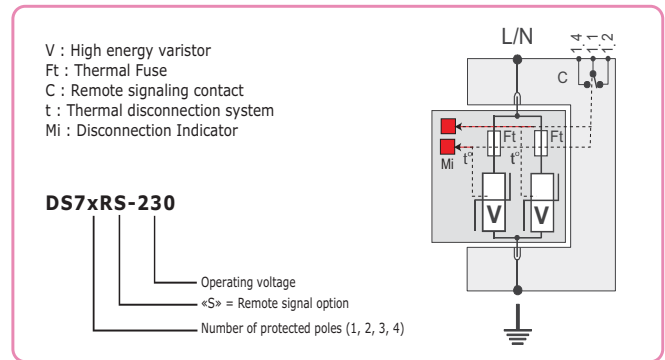
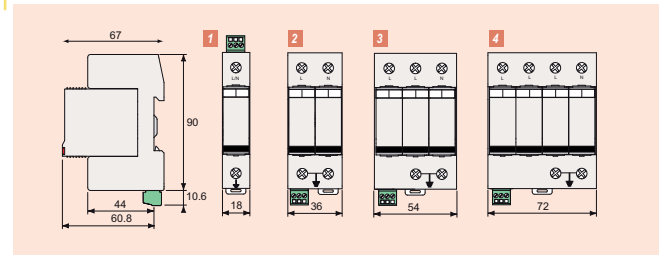
The DS70RS is a one pole module that can be configured for both common and differential mode protection in any single and three phase applications to 600Vac.

The DS70RS has a 70kA 8/20us surge current rating, low leakage current to ground, no follow current and a low residual clamp voltage. The DS70RS module is din rail mountable with cage terminal connectors for parallel wiring. The DS70RS Series include an integral thermal disconnection compliant to UL-60691, a visual fault indicator, protection redundancy, replaceable modules as well as remote signalization.

Standard Configurations



Dimensions and Diagram (in mm)



Characteristics

CITEL Part Number	DS7xRS-120	DS7xRS-230	DS7xRS-400	DS7xRS-690
AC Network	120/208V 120/240V	230/400V 277/480V	277/480V 347/600V	480V 600V
UL Max. Operating Voltage (MCOV)	150Vac	275Vac	420Vac	840Vac
TOV Withstand (UT)	150Vac	275Vac	420Vac	840Vac
IEC/UL Nominal Discharge Current (In) 15 impulses 8/20 μs	30/20kA	30/20kA	30/20kA	30/20kA
Max. Discharge Current (I _{max}) 1 impulse 8/20 μs	70kA	70kA	70kA	70kA
Max. Lightning Current (I _{imp}) 1 impulse 10/350 μs	-	-	-	-
UL Voltage Protection Rating (VPR)	600V	900V	1500V	2500V
Protection Level at In (Up)	1.0kV	1.4kV	1.8kV	2.5kV
UL Short-Circuit Current Rating (SCCR)	100kAIC	100kAIC	100kAIC	100kAIC
Leakage Current at MCOV (Ic)	<1mA	<1mA	<1mA	<1mA
Connection Mode	L-N, L-G, N-G, L-L (where applicable)			
Follow Current (If)	none			
AC System	IT, TT, TN, Single, Split Phase, Delta, Wye			
Thermal Disconnector	UL 60691			
Overcurrent Protection	Time Delay - 125A Max.			
Dimensions	90 x 18 x 67 (in mm)			
Connection	by screw terminals, #4 AWG Max.			
Remote Signal Indicator	250Vac Max, 2A			
Mounting	Din Rail, 35mm Symmetrical			
Operating Temp	-50°C to +85°C			
Operating Altitude	13,000 ft (4,000m)			
Relative Humidity	5 to 95% non-condensing, up to 100% external			
Enclosure Material	Thermoplastic UL94-5A			
Environmental Rating	IP20			
Weight	13.4 oz per module			
Standards Compliance				
IEC 61643-1 - INTERNATIONAL	Class II			
EN 61643-11 - EUROPE	Class II			
NF EN 61643-11 - FRANCE	Class II			
UL1449 3rd Edition - USA	Type 4, Type 2 Location			
UL1449 3rd Edition - CANADA	Type 4, Type 2 Location			
CSA C22.2 No. 8-M1986	Class 9091 32, Class 9091 92			
RoHS	Directive 2002/95/EC			