

Woertz AG
Hofackerstrasse 47
P.O. Box 948
CH-4132 Muttenz
Tel. ++ 41 61/ 466 33 33
Fax ++ 41 61/ 466 33 31
E-mail elektronik@woertz.ch
Internet www.woertz.ch

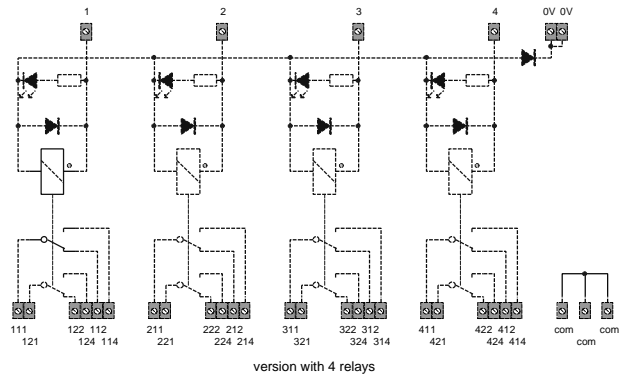
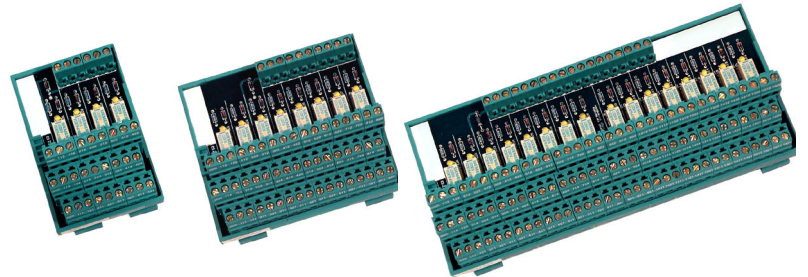
2 changeover contacts, max. 2A, common negative pole

Properties

- Relays with universal use
- 2 changeover contacts per relay
- Relays with low power consumption
- Relays with state indicators
- Compact structure
- Easy connection by means of junction racks
- Relay coils with common negative pole
- Clear structured modules
- Marking possibilities
- COM terminals for the connection of several modules
- Additional terminals for the mounting of the junction racks (only for the version with 16 relays)

Accessories

- 30413RO junction rack, 20 poles red
- 30413BL junction rack 20 poles blue
- 80095 marking label RB 6x12
- 45294/20 marking label 10x20mm
- 45294/30 marking label 10x30mm



Technical data

Contacts

Max. switching voltage
Rated switching current
Max. admissible constant current
Rated breaking capacity
Number of contacts per relay
Type of contact
Min. switching voltage

Coil

Rated power
Pickup voltage 5/ 12/ 24 VDC
Breaking voltage 5/ 12/ 24 VDC
Current consumption per channel (at rated voltage)

General data

Temperature range
Mechanical lifetime
Pickup-/ Breaking-/ Bouncing time
Nominal cross-section of the connecting terminals
Dimensions L x B x H (from the rail)

4 relays

8 relays

16 relays

250VAC/ 220VDC

2A

2A

62.5VA/ 60W

2 changeover contacts

twin contacts

500µV

140mW

4.0/ 9.6/ 19.2 VDC

0.5/ 1.2/ 2.4 VDC

34/ 15/ 9mA

-40°C up to +60°C

10⁸ cycles

4/ 5/ 1ms

2.5mm²

55x83x67mm

95x83x67mm

185x83x67mm

Article numbers

5VDC
12VDC
24VDC

45345A/7
45345A/1
45345A/2

45346A/7
45346A/1
45346A/2

45347A/7
45347A/1
45347A/2